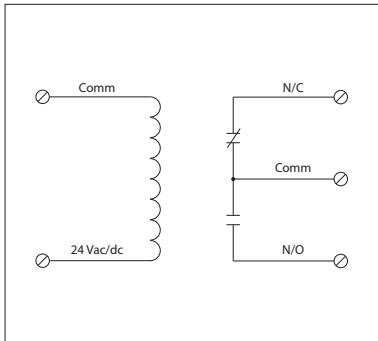


## 15 AMP TRACK MOUNT CONTROL RELAYS

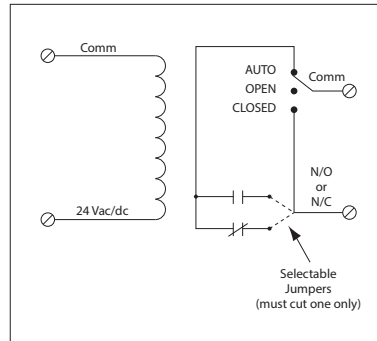
### RIBM24C

4.00" Track Mount Relay 15 Amp SPDT with 24 Vac/dc Coil



### RIBM24S

4.00" Track Mount Relay 15 Amp SPST + Override with 24 Vac/dc Coil



Meets "Buy American" of ARRA 2009



RELAYS

## SPECIFICATIONS

**# Relays & Contact Type:** One (1) SPDT Continuous Duty Coil (RIBM24C)  
One (1) SPST Continuous Duty Coil (RIBM24S)

**Expected Relay Life:** 10 million cycles minimum mechanical

**Operating Temperature:** -30 to 140° F

**Humidity Range:** 5 to 95% (noncondensing)

**Operate Time:** 6ms

**Relay Status:** LED On = Activated

**Dimensions:** 1.250" x 4.000" x 1.750"

**Track Mount:** 4.000", See MT4 Series on page 152  
**MT4 Mounting Track Sold Separately**

**Approvals:** UL Listed, UL916, UL864, C-UL  
California State Fire Marshal

**Gold Flash:** No

**Override Switch:** No (RIBM24C)  
Yes (RIBM24S)

**Contact Ratings:**  
15 Amp General Use @ 125 Vac  
10 Amp General Use @ 277 Vac  
10 Amp Resistive @ 30 Vdc (N/O)  
7 Amp Resistive @ 30 Vdc (N/C)  
1/2 HP @ 125 Vac  
1 HP @ 250 Vac  
1/4 HP @ 277 Vac  
C300 Pilot Duty

**Coil Current:**  
26 mA @ 20 Vac  
31 mA @ 24 Vac  
48 mA @ 35 Vac  
14 mA @ 20 Vdc  
18 mA @ 24 Vdc  
28 mA @ 35 Vdc

**Coil Voltage Input:**  
24 Vac/dc ; 50-60 Hz  
Drop Out = 3 Vac / 3.8 Vdc  
Pull In = 20 Vac / 20 Vdc

**Notes:**

- Must cut appropriate jumper to select Normally Open or Normally Closed (RIBM24S)